

SWIMMING POOL COVERS

AUTOMATIC VENETIAN COVER WITH ROLLER BELOW WATER LEVEL

MODEL UNDERWATER

Scope of supply: 130 mm dia stainless-steel axis with 30 mm dia stainless-steel driving shaft, housing for journal bearing, seals for motor penetrations, 24V - 120 Nm motor with a fixing bracket, control switch with a transformer 230/24 V, cut-out key, weight, jointing materials, lamellas, timber transport container.



| | | | Rabat Group |
|--------|-----------------|-----------|-------------|
| 460001 | Lamella colour | white | G |
| | Pool dimension: | 3 x 6 m | |
| 460002 | Lamella colour | white | G |
| | Pool dimension: | 3,5 x 7 m | |
| 460003 | Lamella colour | white | G |
| | Pool dimension: | 4 x 8 m | |
| 460004 | Lamella colour | white | G |
| | Pool dimension: | 4,5 x 9 m | |
| 460005 | Lamella colour | white | G |
| | Pool dimension: | 5 x 10 m | |
| 460006 | Lamella colour | white | G |
| | Pool dimension: | 6 x 12 m | |
| | | | Rabat Group |
| 460007 | Lamella colour | blue | G |
| | Pool dimension: | 3 x 6 m | |
| 460008 | Lamella colour | blue | G |
| | Pool dimension: | 3,5 x 7 m | |
| 460009 | Lamella colour | blue | G |
| | Pool dimension: | 4 x 8 m | |
| 460010 | Lamella colour | blue | G |
| | Pool dimension: | 4,5 x 9 m | |
| 460011 | Lamella colour | blue | G |
| | Pool dimension: | 5 x 10 m | |
| 460012 | Lamella colour | blue | G |
| | Pool dimension: | 6 x 12 m | |

| | | | | |
|--------------------|-----------------------|--------------------|-----------|--------------------|
| 460013 | Lamella colour | sand | | Rabat Group |
| | Pool dimension: | | 3 x 6 m | G |
| 460014 | Lamella colour | sand | | G |
| | Pool dimension: | | 3,5 x 7 m | |
| 460015 | Lamella colour | sand | | G |
| | Pool dimension: | | 4 x 8 m | |
| 460016 | Lamella colour | sand | | G |
| | Pool dimension: | | 4,5 x 9 m | |
| 460017 | Lamella colour | sand | | G |
| | Pool dimension: | | 5 x 10 m | |
| 460018 | Lamella colour | sand | | G |
| | Pool dimension: | | 6 x 12 m | |
| Rabat Group | | | | |
| 460019 | Lamella colour | translucent | | G |
| | Pool dimension: | | 3 x 6 m | |
| 460020 | Lamella colour | translucent | | G |
| | Pool dimension: | | 3,5 x 7 m | |
| 460021 | Lamella colour | translucent | | G |
| | Pool dimension: | | 4 x 8 m | |
| 460022 | Lamella colour | translucent | | G |
| | Pool dimension: | | 4,5 x 9 m | |
| 460023 | Lamella colour | translucent | | G |
| | Pool dimension: | | 5 x 10 m | |
| 460024 | Lamella colour | translucent | | G |
| | Pool dimension: | | 6 x 12 m | |
| Rabat Group | | | | |
| 460175 | Lamella colour | solar | | G |
| | Pool dimension: | | 3 x 6 m | |
| 460176 | Lamella colour | solar | | G |
| | Pool dimension: | | 3,5 x 7 m | |
| 460177 | Lamella colour | solar | | G |
| | Pool dimension: | | 4 x 8 m | |
| 460178 | Lamella colour | solar | | G |
| | Pool dimension: | | 4,5 x 9 m | |
| 460179 | Lamella colour | solar | | G |
| | Pool dimension: | | 5 x 10 m | |
| 460025 | Lamella colour | solar | | G |
| | Pool dimension: | | 6 x 12 m | |



The above shown automatic underwater covers upto the size of 10 x 25 m (white, blue, sand) and 8 x 20 m (transparent, solar). Contact us for all-standard sizes.

ENTRANCE STAIRS - LAMELLAR COVERS



| | | | | Rabat Group |
|--------|---|----------------------------------|--------------------|--------------------|
| 460026 | Type of stairs: max. width: 2 m | Rectangular 1,5 m long | white | G |
| 460027 | Type of stairs: max. width: 2 m | Rectangular 1,5 m long | blau | G |
| 460028 | Type of stairs: max. width: 2 m | Rectangular 1,5 m long | sand | G |
| 460029 | Type of stairs: max. width: 2 m | Rectangular 1,5 m long | translucent | G |
| 460030 | Type of stairs: max. width: 2 m | Rectangular 1,5 m long | solar | G |
| | | | | Rabat Group |
| 460031 | Type of stairs: max. width: 2,5 m | Rectangular 2 m long | white | G |
| 460032 | Type of stairs: max. width: 2,5 m | Rectangular 2 m long | blau | G |
| 460033 | Type of stairs: max. width: 2,5 m | Rectangular 2 m long | sand | G |
| 460034 | Type of stairs: max. width: 2,5 m | Rectangular 2 m long | translucent | G |
| 460035 | Type of stairs: max. width: 2,5 m | Rectangular 2 m long | solar | G |
| | | | | Rabat Group |
| 460036 | Type of stairs: max. Ø 3 m | Romanesque | white | G |
| 460037 | Type of stairs: max. Ø 3 m | Romanesque | blau | G |
| 460038 | Type of stairs: max. Ø 3 m | Romanesque | sand | G |
| 460039 | Type of stairs: max. Ø 3 m | Romanesque | translucent | G |
| 460040 | Type of stairs: max. Ø 3 m | Romanesque | solar | G |

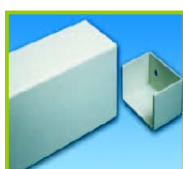


| | | | | Rabat Group |
|--------|---|-------------------|--------------------|--------------------|
| 460041 | Type of stairs: max. Ø 4 m | Romanesque | white | G |
| 460042 | Type of stairs: max. Ø 4 m | Romanesque | blau | G |
| 460043 | Type of stairs: max. Ø 4 m | Romanesque | sand | G |
| 460044 | Type of stairs: max. Ø 4 m | Romanesque | translucent | G |
| 460045 | Type of stairs: max. Ø 4 m | Romanesque | solar | G |
| | | | | Rabat Group |
| 460046 | Type of stairs: width: max. 3 m | Trapezium | white | G |
| 460047 | Type of stairs: width: max. 3 m | Trapezium | blau | G |
| 460048 | Type of stairs: width: max. 3 m | Trapezium | sand | G |
| 460049 | Type of stairs: width: max. 3 m | Trapezium | translucent | G |
| 460050 | Type of stairs: width: max. 3 m | Trapezium | solar | G |
| | | | | Rabat Group |
| 460051 | Type of stairs: width: max. 4 m | Trapezium | white | G |
| 460052 | Type of stairs: width: max. 4 m | Trapezium | blau | G |
| 460053 | Type of stairs: width: max. 4 m | Trapezium | sand | G |
| 460054 | Type of stairs: width: max. 4 m | Trapezium | translucent | G |
| 460055 | Type of stairs: width: max. 4 m | Trapezium | solar | G |

ACCESSORIES FOR LAMELLAR COVERS

BEAMS

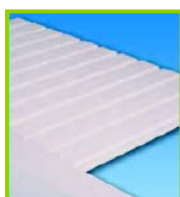
Scope of supply: 120 x 100 mm white coated (other colours available on request) aluminium beam, max. length upto 7 metres, two aluminium brackets for the beam fixing, jointing material.



| | | | | | | Rabat Group |
|--------|------|---------------------|-------------|---------------|--|--------------------|
| 460056 | Beam | white | length: 4 m | weight: 34 kg | | G |
| 460057 | Beam | white | length: 5 m | weight: 42 kg | | G |
| 460058 | Beam | white | length: 6 m | weight: 50 kg | | G |
| 460059 | Beam | white | length: 7 m | weight: 59 kg | | G |
| | | | | | | Rabat Group |
| 460060 | Beam | other colour shades | length: 4 m | weight: 34 kg | | G |
| 460061 | Beam | other colour shades | length: 5 m | weight: 42 kg | | G |
| 460062 | Beam | other colour shades | length: 6 m | weight: 50 kg | | G |
| 460063 | Beam | other colour shades | length: 7 m | weight: 59 kg | | G |

ROLLER SCHAFT COVER

1000 mm long and 675 mm or 925 mm wide modules are supplied: white coated aluminium or timber (IROKO, IPE) segments by 30 mm, outdoor finish.



| | | | | | | Rabat Group |
|--------|-----------|--------------|------------------------|--|--|-------------|
| 460064 | Aluminium | white-coated | module 1000 x 675 mm | | | G |
| 460065 | Aluminium | white-coated | module 1000 x 925 mm | | | G |
| 460066 | Aluminium | white-coated | custom-made 1 m2 | | | G |
| 460067 | IROKO | wood | 2 modules 500 x 675 mm | | | G |
| 460068 | IROKO | wood | 2 modules 500 x 925 mm | | | G |
| 460069 | IROKO | wood | custom-made 1 m2 | | | G |
| 460070 | IPE | wood | 2 modules 500 x 675 mm | | | G |
| 460071 | IPE | wood | 2 modules 500 x 925 mm | | | G |
| 460072 | IPE | wood | custom-made 1 m2 | | | G |



BUILT-IN COMPONENTS



460075 **Built-in components - KIT/220**

460073 **Wall penetration to the motor, 220 mm long**

460074 **Wall penetration to the motor, 100 mm long**

**Rabat
Group**
G

G

G

OVER-WATER AUTOMATIC LAMELLAR COVER

MODEL NACRE

A cost-saving design of lamellar cover for swimming-pool surfaces up to the size max. 5 x 11 m, the cover is controlled by two handles.

Scope of supply: 125 mm dia aluminium axis, two bases with a 150 x 220 mm stand made of white-coated aluminium sheets for the axis housing, four 20 mm dia bearings, two stainless-steel handles, brake with arresting device, lamellas, timber transport container.



| | | | | |
|--------|------------------------------|-----------------|-----------|-------------------------|
| 460080 | Lamella colour: white | Pool dimension: | 3 x 6 m | Rabat Group G |
| 460081 | Lamella colour: white | Pool dimension: | 3,5 x 7 m | G |
| 460082 | Lamella colour: white | Pool dimension: | 4 x 8 m | G |
| 460083 | Lamella colour: white | Pool dimension: | 4,5 x 8 m | G |
| 460084 | Lamella colour: white | Pool dimension: | 5 x 10 m | G |
| | | | | Rabat Group |
| 460085 | Lamella colour: blue | Pool dimension: | 3 x 6 m | G |
| 460086 | Lamella colour: blue | Pool dimension: | 3,5 x 7 m | G |
| 460087 | Lamella colour: blue | Pool dimension: | 4 x 8 m | G |
| 460088 | Lamella colour: blue | Pool dimension: | 4,5 x 8 m | G |
| 460089 | Lamella colour: blue | Pool dimension: | 5 x 10 m | G |

Contact us for all non-standard sizes upto 5 x 11 m

MODEL TOPAZE

A cost-saving design of automatic lamellar cover for swimming-pool surfaces up to the size max. 5 x 11 m, controlled with a three-way switch, easy installation.

Scope of supply: 125 mm dia aluminium axis, two supports with a 150 x 220 mm stand made of white-coated aluminium sheets for the axis housing, 24 V motor aligned with the axis, 230 V/24 V transformer, three-way switch built-in the supports, lamellas, timber transport container.



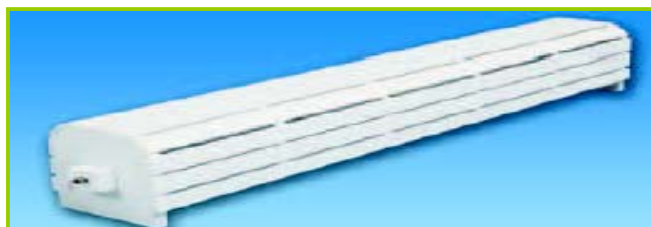
| | | | |
|--------|------------------------------|-----------|--------------------|
| 460095 | Lamella colour: white | | Rabat Group |
| | Pool dimension: | 3 x 6 m | G |
| 460096 | Lamella colour: white | | G |
| | Pool dimension: | 3,5 x 7 m | |
| 460097 | Lamella colour: white | | G |
| | Pool dimension: | 4 x 8 m | |
| 460098 | Lamella colour: white | | G |
| | Pool dimension: | 4,5 x 8 m | |
| 460099 | Lamella colour: white | | G |
| | Pool dimension: | 5 x 10 m | |
| | | | Rabat Group |
| 460100 | Lamella colour: blue | | G |
| | Pool dimension: | 3 x 6 m | |
| 460101 | Lamella colour: blue | | G |
| | Pool dimension: | 3,5 x 7 m | |
| 460102 | Lamella colour: blue | | G |
| | Pool dimension: | 4 x 8 m | |
| 460103 | Lamella colour: blue | | G |
| | Pool dimension: | 4,5 x 8 m | |
| 460104 | Lamella colour: blue | | G |
| | Pool dimension: | 5 x 10 m | |

Contact us for all non-standard sizes upto 5 x 11 m

MODEL MARBRE

A cost-saving design of automatic lamellar cover for swimming-pool surfaces up to the size max. 5 x 11 m, including an over-water cover: can be used for fancy jumping, the cover is controlled with a three-way switch at the cover side, easy installation.

Scope of supply: White lamellar cover with arc-shaped aluminium braces, 125 mm dia aluminium axis, 24 V motor aligned with the axes, 230 V/24 V transformer, three-way switch built-in the base, lamellas, timber transport container.



| | | | |
|--------|------------------------------|-----------|--------------------|
| 460110 | Lamella colour: white | | Rabat Group |
| | Pool dimension: | 3 x 6 m | G |
| 460111 | Lamella colour: white | | G |
| | Pool dimension: | 3,5 x 7 m | |
| 460112 | Lamella colour: white | | G |
| | Pool dimension: | 4 x 8 m | |
| 460113 | Lamella colour: white | | G |
| | Pool dimension: | 4,5 x 8 m | |
| 460114 | Lamella colour: white | | G |
| | Pool dimension: | 5 x 10 m | |
| | | | Rabat Group |
| 460115 | Lamella colour: blue | | G |
| | Pool dimension: | 3 x 6 m | |
| 460116 | Lamella colour: blue | | G |
| | Pool dimension: | 3,5 x 7 m | |
| 460117 | Lamella colour: blue | | G |
| | Pool dimension: | 4 x 8 m | |
| 460118 | Lamella colour: blue | | G |
| | Pool dimension: | 4,5 x 8 m | |
| 460119 | Lamella colour: blue | | G |
| | Pool dimension: | 5 x 10 m | |



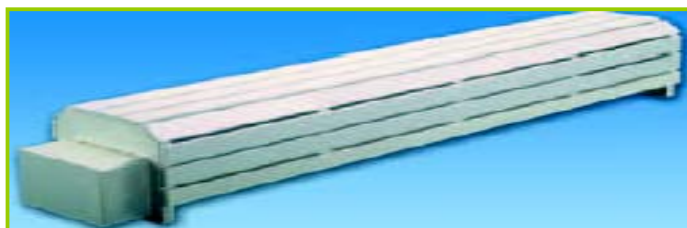
| | Rabat Group |
|---|--------------------|
| 460125 Lamella colour: translucent Pool dimension: 3 x 6 m | G |
| 460126 Lamella colour: translucent Pool dimension: 3,5 x 7 m | G |
| 460127 Lamella colour: translucent Pool dimension: 4 x 8 m | G |
| 460128 Lamella colour: translucent Pool dimension: 4,5 x 8 m | G |
| 460129 Lamella colour: translucent Pool dimension: 5 x 10 m | G |

Contact us for all non-standard sizes upto 5 x 11 m

MODEL BANC PVC

An automatic lamellar cover for swimming-pool surfaces up to the size max. 6 x 15m, including an over-water cover: can be used for fancy jumping, the cover is controlled with a three-way switch at the cover side, easy installation.

Scope of supply: White lamellar cover with arc-shaped aluminium braces, 125 mm dia stainless-steel axis, 24 V motor (incl. external cover), 230 V/24 V transformer, three-way switch (in casing), lamellas, timber transport container.



| | | | |
|--------|------------------------------|-----------|--------------------|
| 460135 | Lamella colour: white | | Rabat Group |
| | Pool dimension: | 4 x 8 m | G |
| 460136 | Lamella colour: white | | G |
| | Pool dimension: | 4,5 x 9 m | |
| 460137 | Lamella colour: white | | G |
| | Pool dimension: | 5 x 10 m | |
| 460138 | Lamella colour: white | | G |
| | Pool dimension: | 6 x 12 m | |
| | | | Rabat Group |
| 460139 | Lamella colour: blue | | G |
| | Pool dimension: | 4 x 8 m | |
| 460140 | Lamella colour: blue | | G |
| | Pool dimension: | 4,5 x 9 m | |
| 460141 | Lamella colour: blue | | G |
| | Pool dimension: | 5 x 10 m | |
| 460142 | Lamella colour: blue | | G |
| | Pool dimension: | 6 x 12 m | |
| | | | Rabat Group |
| 460151 | Lamella colour: solar | | G |
| | Pool dimension: | 4 x 8 m | |
| 460152 | Lamella colour: solar | | G |
| | Pool dimension: | 4,5 x 9 m | |
| 460153 | Lamella colour: solar | | G |
| | Pool dimension: | 5 x 10 m | |
| 460154 | Lamella colour: solar | | G |
| | Pool dimension: | 6 x 12 m | |

Contact us for all non-standard sizes upto 6 x 15 m

MODEL BANC WOOD

An automatic lamellar cover for swimming-pool surfaces up to the size max. 7 x 16 m, including an over-water cover made of IPE exotic wood type - without any need for further surface finish: can be used for fancy jumping, the cover is controlled with an external three-way switch at the cover side.

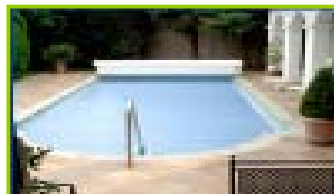
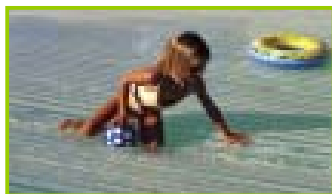
Scope of supply: Wooden (IPE) lamellar over-water cover with arc-shaped aluminium braces, 125 mm dia stainless-steel axis, 24 V motor (incl. external cover), 230 V/24 V transformer, three-way switch (in casing), lamellas, timber transport container.



| | | | |
|--------|------------------------------|-----------|--------------------|
| 460155 | Lamella colour: white | | Rabat Group |
| | Pool dimension: | 4 x 8 m | G |
| 460156 | Lamella colour: white | | G |
| | Pool dimension: | 4,5 x 9 m | |
| 460157 | Lamella colour: white | | G |
| | Pool dimension: | 5 x 10 m | |
| 460158 | Lamella colour: white | | G |
| | Pool dimension: | 6 x 12 m | |
| 460159 | Lamella colour: white | | G |
| | Pool dimension: | 7 x 14 m | |
| | | | Rabat Group |
| 460160 | Lamella colour: blue | | G |
| | Pool dimension: | 4 x 8 m | |
| 460161 | Lamella colour: blue | | G |
| | Pool dimension: | 4,5 x 9 m | |
| 460162 | Lamella colour: blue | | G |
| | Pool dimension: | 5 x 10 m | |
| 460163 | Lamella colour: blue | | G |
| | Pool dimension: | 6 x 12 m | |
| 460164 | Lamella colour: blue | | G |
| | Pool dimension: | 7 x 14 m | |

| | | Rabat Group |
|--------|---|--------------------|
| 460275 | Lamella colour: solar Pool dimension: 4 x 8 m | G |
| 460276 | Lamella colour: solar Pool dimension: 4,5 x 9 m | G |
| 460277 | Lamella colour: solar Pool dimension: 5 x 10 m | G |
| 460278 | Lamella colour: solar Pool dimension: 6 x 12 m | G |
| 460279 | Lamella colour: solar Pool dimension: 7 x 14 m | G |

Contact us for all non-standard sizes upto 7 x 16 m



MODEL SATURN - LAMELLAS PROFILE 9/50 mm OWER-WATER COVER SYSTEMS

Aluminium bearing bracket with plastic box for dia putting, with white surface form, dia stainless steel. 24 V motor for cover drive with install electronics and with end switches, control key switch, transformer 230/24V



| | | | Rabat Group |
|--------|----------------------|-------------------|-------------|
| 460301 | Max. pool dimension: | 3,0 x 12,0 m | set G |
| 460302 | Max. pool dimension: | 3,5 x 12,0 m | set G |
| 460303 | Max. pool dimension: | 4,0 x 12,0 m | set G |
| 460304 | Max. pool dimension: | 4,5 x 12,0 m | set G |
| 460305 | Max. pool dimension: | 5,0 x 12,0 m | set G |
| 460306 | Max. pool dimension: | 5,5 x 12,0 m | set G |
| 460307 | Max. pool dimension: | 6,0 x 12,0 m | set G |
| 460308 | Max. pool dimension: | non standard size | set G |

LAMELLAS

PVC lamellas, dimensions 9/50 mm, colour - light blue, light grey, white. Price €/1 m2

| | | | Rabat Group |
|--------|------------------|------|-------------|
| 460309 | PVC profile 9/50 | 1 m2 | G |

MODEL PLUTO - LAMELLAS PROFILE 13/60 mm OWER-WATER COVER SYSTEMS

Aluminium bearing bracket with plastic box for dia putting, with white surface form, dia stainless steel. 24 V motor for cover drive with install electronics and with end switches, control key switch, transformer 230/24 V.



| | | | Rabat Group |
|--------|----------------------|-------------------|-------------|
| 460310 | Max. pool dimension: | 3,0 x 12,0 m | set G |
| 460311 | Max. pool dimension: | 3,5 x 12,0 m | set G |
| 460312 | Max. pool dimension: | 4,0 x 12,0 m | set G |
| 460313 | Max. pool dimension: | 4,5 x 12,0 m | set G |
| 460314 | Max. pool dimension: | 5,0 x 12,0 m | set G |
| 460315 | Max. pool dimension: | 5,5 x 12,0 m | set G |
| 460316 | Max. pool dimension: | 6,0 x 12,0 m | set G |
| 460317 | Max. pool dimension: | 7,0 X 15,0 m | set G |
| 460318 | Max. pool dimension: | non standard size | set G |

LAMELLAS

PVC lamellas, dimensions 13/60 mm, colour - light blue, light grey, white, translucent, solar (translucent, black). Price €/1 m2

| | | | Rabat Group |
|--------|--------------------------|---------------------|-------------|
| 460319 | PVC profile 13/60 | (white, blue, grey) | 1 m2 G |
| 460320 | PVC profile 13/60 | (translucent) | 1 m2 G |
| 460321 | PVC profile 13/60 | (solar) | 1 m2 G |

POLYCARBONAT lamellas, dimensions 13/60 mm, colour - translucent, solar(translucent/black), steel blue, (translucent/blue), other colours on favour, price €/ 1 m2.

| | | | Rabat Group |
|--------|-----------------------------------|------------------------------------|-------------|
| 460358 | POLYCARBONAT profile 13/60 | translucent | 1 m2 G |
| 460359 | POLYCARBONAT profile 13/60 | solar (translucent/black) | 1 m2 G |
| 460360 | POLYCARBONAT profile 13/60 | steel blue (translucent/blue) | 1 m2 G |
| 460361 | POLYCARBONAT profile 13/60 | non standard colour, choice of RAL | 1 m2 G |
| 460362 | POLYCARBONAT profile 13/60 | azuro blue | 1 m2 G |



MODEL JUPITER - LAMELLAS PROFILE 9/50 mm UNDER-WATER COVER SYSTEMS

Set of seals with bearing unit and with contra bearing, plastic box for dia putting, dia stainless steel, unit box. 24 V motor for cover drive with install electronics and with end switches, control key switch, transformer 230/24 V.



| | | | Rabat Group |
|--------|----------------------|-------------------|-------------|
| 460322 | Max. pool dimension: | 3,0 x 12,0 m | set G |
| 460323 | Max. pool dimension: | 3,5 x 12,0 m | set G |
| 460324 | Max. pool dimension: | 4,0 x 12,0 m | set G |
| 460325 | Max. pool dimension: | 4,5 x 12,0 m | set G |
| 460326 | Max. pool dimension: | 5,0 x 12,0 m | set G |
| 460327 | Max. pool dimension: | 5,5 x 12,0 m | set G |
| 460328 | Max. pool dimension: | 6,0 x 12,0 m | set G |
| 460329 | Max. pool dimension: | non standard size | set G |

LAMELLAS

PVC lamellas, dimensions 9/50 mm, colour - light blue, light grey, white. Price €/1 m2

| | | | Rabat Group |
|--------|------------------|------|-------------|
| 460309 | PVC profile 9/50 | 1 m2 | G |

ACCESSORIES

| | | | Rabat Group |
|--------|---------------------------------|-----|-------------|
| 460330 | Chain elongation in motor shaft | set | G |

MODEL MARS - LAMELLAS PROFILE 9/50 mm UNDER-WATER REEL SYSTEMS TO HANG ON

Motor over-water surface with chaine transmission and with plastic box for dia putting, dia stainless steel, unit box. 24 V motor for cover drive with install electronics and with end switches, control key switch, transformer 230/240 V.



| | | | Rabat Group |
|--------|----------------------|-------------------|-------------|
| 460331 | Max. pool dimension: | 3,0 x 12,0 m | set G |
| 460332 | Max. pool dimension: | 3,5 x 12,0 m | set G |
| 460333 | Max. pool dimension: | 4,0 x 12,0 m | set G |
| 460334 | Max. pool dimension: | 4,5 x 12,0 m | set G |
| 460335 | Max. pool dimension: | 5,0 x 12,0 m | set G |
| 460336 | Max. pool dimension: | 5,5 x 12,0 m | set G |
| 460337 | Max. pool dimension: | 6,0 x 12,0 m | set G |
| 460338 | Max. pool dimension: | non standard size | set G |

LAMELLAS

PVC lamellas, dimensions 9/50 mm, colour - light blue, light grey, white. Price €/1 m²

| | | | Rabat Group |
|--------|------------------|------------------|-------------|
| 460309 | PVC profile 9/50 | 1 m ² | G |

ACCESSORIES

| | | | Rabat Group |
|--------|----------------------------------|-----|-------------|
| 460339 | Chain elongation 1,5 m dia depth | set | G |

MODEL URAN - LAMELLAS PROFILE 13/60 mm UNDER-WATER REEL SYSTEMS

Set of seals with bearing unit and with contra bearing, plastic box for dia putting, dia stainless steel, unit box. 24 V motor for cover drive with install electronics and with end switches, control key switch, transformer 230/24 V.



| | | | Rabat Group |
|--------|----------------------|-------------------|-------------|
| 460340 | Max. pool dimension: | 3,0 x 12,0 m | set G |
| 460341 | Max. pool dimension: | 3,5 x 12,0 m | set G |
| 460342 | Max. pool dimension: | 4,0 x 12,0 m | set G |
| 460343 | Max. pool dimension: | 4,5 x 12,0 m | set G |
| 460344 | Max. pool dimension: | 5,0 x 12,0 m | set G |
| 460345 | Max. pool dimension: | 5,5 x 12,0 m | set G |
| 460346 | Max. pool dimension: | 6,0 x 12,0 m | set G |
| 460347 | Max. pool dimension: | 7,0 X 15,0 m | set G |
| 460348 | Max. pool dimension: | non standard size | set G |

LAMELLAS

PVC lamellas, dimensions 13/60 mm, colour - light blue, light grey, white, translucent, solar (translucent, black). Price €/1 m²

| | | | Rabat Group |
|--------|-------------------|---------------------|--------------------|
| 460319 | PVC profile 13/60 | (white, blue, grey) | 1 m ² G |
| 460320 | PVC profile 13/60 | (translucent) | 1 m ² G |
| 460321 | PVC profile 13/60 | (solar) | 1 m ² G |

POLYCARBONAT lamellas, dimensions 13/60 mm, colour - translucent, solar(translucent/black), steel blue, (translucent/blue), other colours on favour, price €/ 1 m².

| | | | Rabat Group |
|--------|----------------------------|------------------------------------|--------------------|
| 460358 | POLYCARBONAT profile 13/60 | translucent | 1 m ² G |
| 460359 | POLYCARBONAT profile 13/60 | solar (translucent/black) | 1 m ² G |
| 460360 | POLYCARBONAT profile 13/60 | steel blue (translucent/blue) | 1 m ² G |
| 460361 | POLYCARBONAT profile 13/60 | non standard colour, choice of RAL | 1 m ² G |
| 460362 | POLYCARBONAT profile 13/60 | azuro blue | 1 m ² G |



ACCESSORIES

2 stainless steel chain wheels and chain, unit metal plate with motor bracket, cog-wheel putting with plastic box, ball bearing retention

460330 **Chain elongation in motor shaft**

set

**Rabat
Group**
G

MODEL VENUS - LAMELLAS PROFILE 13/60 mm UNDER-WATER COVER SYSTEMS TO HANG ON

Motor over-water surface with chaine transmission and with plastic box for dia putting, dia stainless steel, unit box. 24 V motor for cover drive with install electronics and with end switches, control key switch, transformer 230/240 V.



| | | | Rabat Group |
|--------|----------------------|-------------------|-------------|
| 460349 | Max. pool dimension: | 3,0 x 12,0 m | set G |
| 460350 | Max. pool dimension: | 3,5 x 12,0 m | set G |
| 460351 | Max. pool dimension: | 4,0 x 12,0 m | set G |
| 460352 | Max. pool dimension: | 4,5 x 12,0 m | set G |
| 460353 | Max. pool dimension: | 5,0 x 12,0 m | set G |
| 460354 | Max. pool dimension: | 5,5 x 12,0 m | set G |
| 460355 | Max. pool dimension: | 6,0 x 12,0 m | set G |
| 460356 | Max. pool dimension: | 7,0 X 15,0 m | set G |
| 460357 | Max. pool dimension: | non standard size | set G |

LAMELLAS

PVC lamellas, dimensions 13/60 mm, colour - light blue, light grey, white, translucent, solar (translucent, black). Price €/1 m2

| | | | Rabat Group |
|--------|-------------------|---------------------|-------------|
| 460319 | PVC profile 13/60 | (white, blue, grey) | 1 m2 G |
| 460320 | PVC profile 13/60 | (translucent) | 1 m2 G |
| 460321 | PVC profile 13/60 | (solar) | 1 m2 G |

POLYCARBONAT lamellas, dimensions 13/ mm, colour - translucent, solar(translucent/black), steel blue, (translucent/blue), other colours on favour, price €/ 1 m2.

| | | | Rabat Group |
|--------|----------------------------|------------------------------------|-------------|
| 460358 | POLYCARBONAT profile 13/60 | translucent | 1 m2 G |
| 460359 | POLYCARBONAT profile 13/60 | solar (translucent/black) | 1 m2 G |
| 460360 | POLYCARBONAT profile 13/60 | steel blue (translucent/blue) | 1 m2 G |
| 460361 | POLYCARBONAT profile 13/60 | non standard colour, choice of RAL | 1 m2 G |
| 460362 | POLYCARBONAT profile 13/60 | azuro blue | 1 m2 G |

ACCESSORIES

| | | |
|---|-----|------------------|
| 460339 Chain elongation 1,5 m dia depth | set | Rabat Group G |
|---|-----|------------------|

COVERS FOR OWER-WATER REEL SYSTEMS

ALUMINIUM COVER

Covers are made from aluminium foamed PU in amplify form, with end lids - rivet, white surface form,
Max. load: 40 kg, half-circular design

| | | | |
|-----------------------------|--------------|-----|------------------|
| 460363 Max. pool dimension: | 5,0 x 12,0 m | set | Rabat Group G |
| 460364 Max. pool dimension: | 7,0 x 15,0 m | set | G |
| 460365 Non standard size | | set | G |

COVERS FOR OWER-WATER REEL SYSTEMS

SITTING BENCH - MADE OF HARD WOOD

Covers made as sitting bench of SIPO-hard wood, screws of stainless steel.
Max: load: 200 kg, made as self-carrying without middle bracket



| | | | |
|-----------------------------|--------------|-----|------------------|
| 460366 Max. pool dimension: | 5,0 x 12,0 m | set | Rabat Group G |
| 460367 Max. pool dimension: | 7,0 x 15,0 m | set | G |
| 460374 Non standard size | | set | G |

COVERS FOR OWER-WATER REEL SYSTEMS

SCREEN - MADE OF HARD WOOD

Screens - made of SIPO hard wood, white surface form, for front and back side

| | | | |
|-----------------------------|--------------|-----|------------------|
| 460368 Max. pool dimension: | 5,0 x 12,0 m | set | Rabat Group G |
| 460369 Max. pool dimension: | 7,0 x 15,0 m | set | G |
| 460375 Non standard size | | set | G |

COVERS FOR OVER-WATER REEL SYSTEMS SITTING BENCH - MADE OF PVC

Covers made as sitting bench of PVC profile, inclusive of endings, white design, screws of stainless steel.

Max: load: 200 kg, made as self-carrying without middle bracket



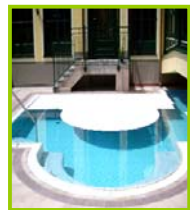
| | | | Rabat Group |
|--------|-----------------------------|---------------------|--------------------|
| 460370 | Max. pool dimension: | 5,0 x 12,0 m | set G |
| 460371 | Max. pool dimension: | 7,0 x 15,0 m | set G |
| 460374 | Non standard size | | set G |

COVERS FOR OVER-WATER REEL SYSTEMS SCREEN - MADE OF PVC

Screens - made of PVC profile inclusive endings, white surface form, for front and back side

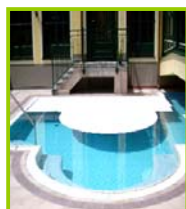
| | | | Rabat Group |
|--------|-----------------------------|---------------------|--------------------|
| 460372 | Max. pool dimension: | 5,0 x 12,0 m | set G |
| 460373 | Max. pool dimension: | 7,0 x 15,0 m | set G |
| 460375 | Non standard size | | set G |

ENTRANCE STAIRS - LAMELLAR COVERS ROMANESQUE - max. Ø 3,0 m / 1,5 m



| | | | Rabat Group |
|--------|-----------------------------------|------------------------------------|--------------------|
| 460376 | PVC profile 9/50 | (light blue, light grey, white) | G |
| 460377 | PVC profile 13/60 | (light blue, light grey, white) | G |
| 460378 | PVC profile 13/60 | (translucent) | G |
| 460379 | PVC profile 13/60 | solar (translucent black) | G |
| 460380 | POLYCARBONAT profile 13/60 | (translucent) | G |
| 460381 | POLYCARBONAT profile 13/60 | solar (translucent black) | G |
| 460382 | POLYCARBONAT profile 13/60 | steel blue (translucent/blue) | G |
| 460383 | POLYCARBONAT profile 13/60 | non standard colour, choice of RAL | G |

ROMANESQUE - max. Ø 4,0 m / 2,0 m



| | Rabat Group |
|--|------------------------|
| 460384 PVC profile 9/50 (light blue, light grey, white) | G |
| 460385 PVC profile 13/60 (light blue, light grey, white) | G |
| 460386 PVC profile 13/60 (translucent) | G |
| 460387 PVC profile 13/60 solar (translucent black) | G |
| 460388 POLYCARBONAT profile 13/60 (translucent) | G |
| 460389 POLYCARBONAT profile 13/60 solar (translucent black) | G |
| 460390 POLYCARBONAT profile 13/60 steel blue (translucent/blue) | G |
| 460391 POLYCARBONAT profile 13/60 non standard colour, choice of RAL | G |
| 460392 Oblique cuts - 1 m | G |

COVER ROLLERS

COMPLETE STAINLESS STEEL REEL SYSTEM

(with telescopic tube)

This type of complete stainless steel reel system with telescopic tube is produced in three modifications: fixed installation, portable and mobile (wheels added).

Stands are made of polished stainless steel with plastic parts. Telescopic tube is made of eloxed aluminium. The package includes all components to fixing the cover, straps and reel telescopic tube.

Complete reel system with telescopic tube contains: stainless steel stands, telescopic tube, set of straps and catches to fasten the solar cover and safety catch to prevent the rolled up cover unwind.

COMPLETE STAINLESS STEEL REEL SYSTEM FIXED WITH TELESCOPIC TUBE



460400 CORFU 2,6 - 4,3 m



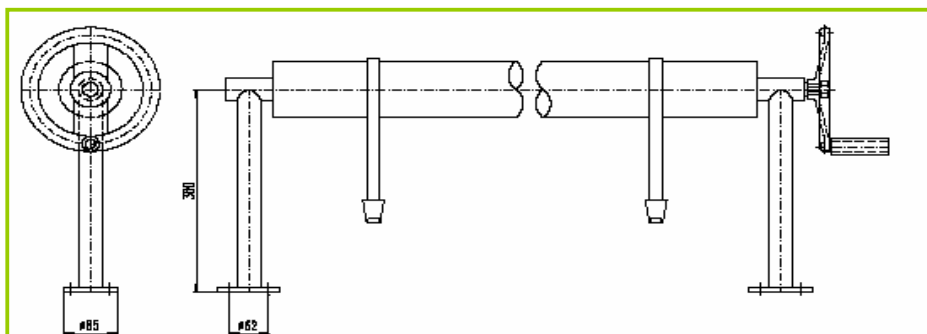
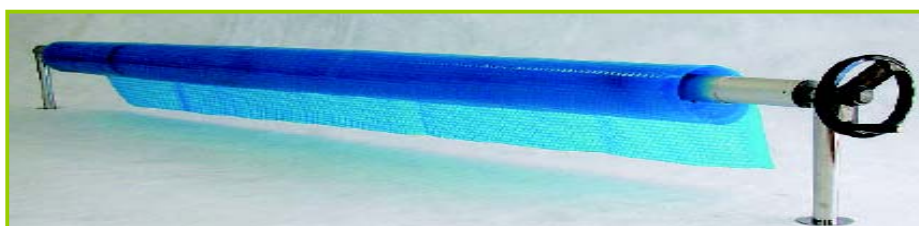
460401 CORFU 4,1 - 5,7 m

460402 CORFU 5,3 - 6,9 m

Rabat
Group
A

A

A



**COMPLETE STAINLESS STEEL REEL SYSTEM
PORTABLE WITH TELESCOPIC TUBE**



460403 MIKOS 2,6 - 4,3 m

Rabat
Group
A

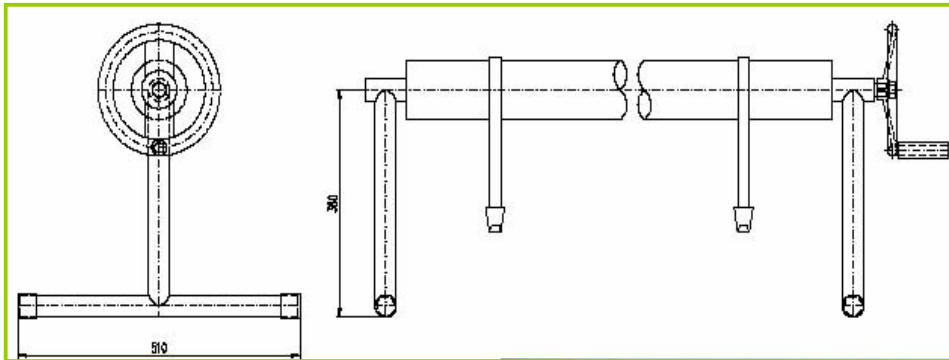


460404 MIKOS 4,1 - 5,7 m

A

460405 MIKOS 5,3 - 6,9 m

A



**COMPLETE STAINLESS STEEL REEL SYSTEM
MOBILE WITH TELESCOPIC TUBE**



460406 **SAMOS** 2,6 - 4,3 m

460407 **SAMOS** 4,1 - 5,7 m

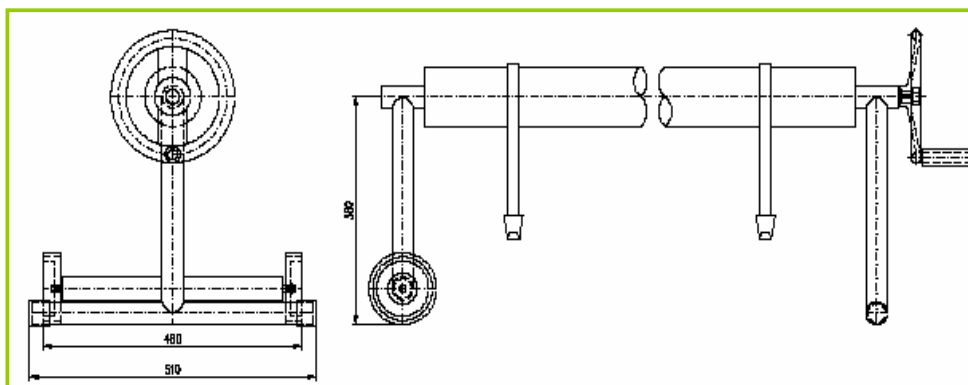


460408 **SAMOS** 5,3 - 6,9 m




**Rabat
Group**
A

A

A



ACCESSORIES FOR COVER ROLLERS

| | | Rabat Group |
|---|--|-------------|
|  | 460409 Fixed reel system - stainless steel stands | A |
|  | 460410 Portable reel system - stainless steel stands | A |
|  | 460411 Mobile reel system - stainless steel stands | A |
| | 460412 Telescopic tube 2,6 - 4,3 m (5 parts) tube (1,3+2,6+1,3) | A |
| | 460413 Telescopic tube 4,1 - 5,7 (7 parts) tube (2+2,6+2) | A |
| | 460414 Telescopic tube 5,3 - 6,9 (10 parts) tube (2,6+2,6+2,6) | A |
| | 460415 Set to fasten the cover and telescopic tube, 1 piece Straps: 1,5 m | A |
| | 460416 Solar cover 400 mic, jumbo roll Price :€/m2 | A |
| | 460417 Solar cover 500 mic, jumbo roll Price :€/m2 | A |
| | 460418 Solar cover 400 mic - cutting Price :€/m2 | A |
| | 460419 Solar cover 500 mic - cutting Price :€/m2 | A |
| | 460420 Solar cover 400 mic 3m x 6m | A |
| | 460421 Solar cover 400 mic 3m x 7m | A |
| | 460422 Solar cover 400 mic 4m x 8m | A |
| | 460423 Solar cover 400 mic 4,5m x 9m | A |
| | 460424 Solar cover 400 mic 5m x 10m | A |
| | 460425 Solar cover 500 mic 3m x 6m | A |
| | 460426 Solar cover 500 mic 3m x 7m | A |
| | 460427 Solar cover 500 mic 4m x 8m | A |
| | 460428 Solar cover 500 mic 4,5m x 9m | A |
| | 460429 Solar cover 500 mic 5m x 10m | A |